

Sample Order / Cheat Sheet
K Builder Series 1/2

QUOTE ORDER

NAME: _____

PO# _____

ADDRESS: _____

DELIVERY: _____

ADDRESS: _____



ORDER DATE: _____

OFFICE PHONE: _____

CONTACT: _____

FAX PHONE: _____

JOB NAME: _____

JOB PHONE: _____

HARDWARE WORK ORDER

Toll Free 888.788.2013 or 208.788.2013; Fax 208.788.2577

2002.12.04

LINE NO.	FUNCTION	HANDLE		ESCUTCHEON		METAL	PATINA	HANDING OR LENGTH	BACKSET	DOOR THICKNESS	LOCK TYPE	DEAD BOLT TRIM	DESCRIPTION	LOCATION #	QTY.	PRICE QUOTED
		EXTERIOR	INTERIOR	EXTERIOR	INTERIOR											
1	BPA	LB60	LB60	EB40	EB40	B	D	R	238	138	SL			1	1	217.00
2	BPR	LB50	LB50	EB75	EB75	B	R	L	234	134	SL			2	1	245.00
3	BDU	KB60	KB60	EB50	EB50	W	L	L						3	1	174.00
4	BDU	LB50	N	EB55	N	W	M	R						4	1	98.00

FUNCTION

BPA = Builder Passage
BPR = Builder Privacy
BDU = Builder Dummy

HANDLE

For a list of Levers and Knobs available for Builder Series Sets, see next page.

For specifications, refer to Page K1.

ESCUTCHEONS

For a list of Escutcheons available for Builder Series Sets, see next page.

For configurations, specifications, and pricing, refer to content of this section.

METAL

B = Silicon Bronze
W = White Bronze

PATINA

L = Light
M = Medium
D = Dark
R = Rust
BB = Brushed

HANDING

See Hinged Door Handing diagram, next page.

L = Left Hand
R = Right Hand
LR = Left Hand Reverse
RR = Right Hand Reverse

BACKSET

238 = 2 3/8" SL
234 = 2 3/4" SL
N = No

DOOR THICKNESS

138 = 1 3/8"
112 = 1 1/2"
134 = 1 3/4"
178 = 1 7/8"
2 = 2"

*Up-charge for sizes below.
Call for pricing.*

214 = 2 1/4"
212 = 2 1/2"
258 = 2 5/8"
234 = 2 3/4"
3 = 3"
314 = 3 1/4"
312 = 3 1/2"
4 = 4"
N = No

LOCK TYPE

Complete Sets
SL = Spring Latch

DEAD BOLT TRIM

Not Applicable

DESCRIPTION

Not Applicable

LOCATION #

Room Number or Door Number, etc.

QTY

Number of each desired

PRICE

\$ List price each

Sample Order / Cheat Sheet

K Builder Series 2/2

HANDLES

Levers

- LB30 = Small Reed Lever
- LB50 = Small Beaver Tail Lever
- LB60 = Small Olympus Lever

Knobs

- KB40 = Small Squash Knob
- KB50 = Small Potato Knob
- KB60 = Small Luna Knob

ESCUTCHEONS

Rectangular

- EB50 = 2 1/2" x 3 3/4" Rect
- EB55 = 2 1/2" x 6 1/2" Rect

Stepped

- EB40 = 2 1/2" x 3 3/4" Stepped
- EB45 = 2 1/2" x 6 1/2" Stepped

Arched

- EB70 = 2 1/2" x 3 3/4" Arched
- EB75 = 2 1/2" x 6 1/2" Arched

Curved

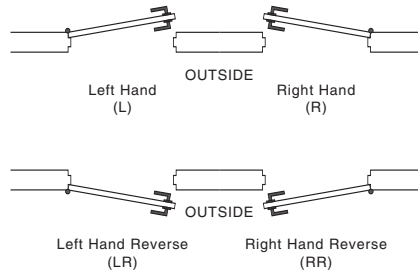
- EB80 = 2 1/2" x 3 3/4" Curved
- EB85 = 2 1/2" x 6 1/2" Curved

Metro

- EB20 = 2 1/2" x 3 3/4" Metro
- EB25 = 2 1/2" x 6 1/2" Metro

HANDING

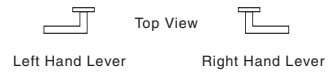
Hinged Door Handing



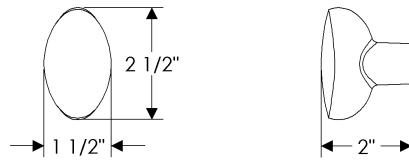
PLEASE NOTE:

1. Handing of doors is always determined from the outside.
2. The outside of an exterior door is the street/entrance side.
3. The outside of a room door is the hall side.
4. The outside of a closet door is the room or hall side

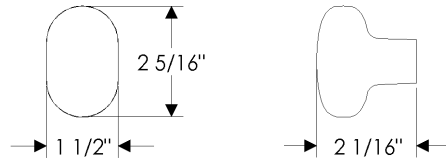
Lever Handing



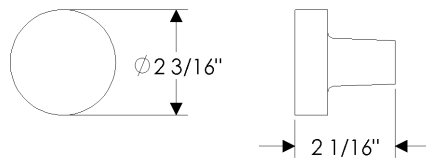
Knobs and Levers available for Builder Series combinations



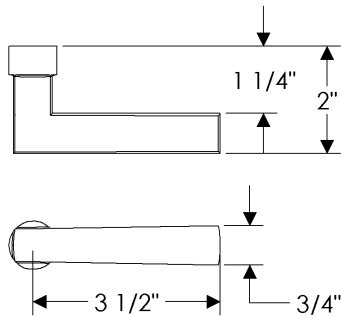
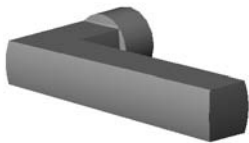
KB40 Small Squash Knob



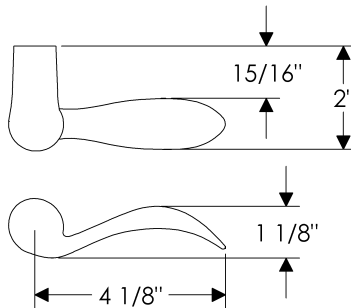
KB50 Small Potato Knob



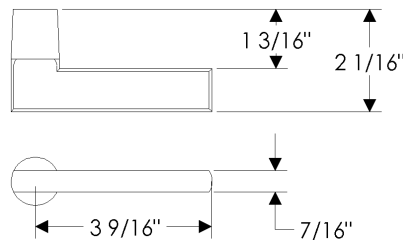
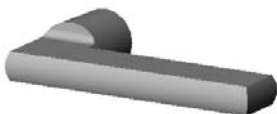
KB60 Small Luna Knob



LB30 Small Reed Lever



LB50 Small Beaver Tail Lever

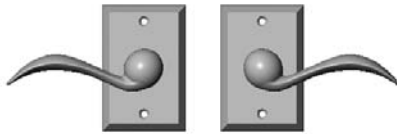


LB60 Small Olympus Lever

- All finishes are priced the same.
- Price includes your choice of any Builder Series knob or lever (KB40, KB50, KB60, LB30, LB50, or LB60).
- Combinations are shown with LB50 Small Beaver Tail Lever for illustration purposes only. Refer to page K1 for desired handle.
- Specify metal, patina, handing, backset, door thickness, and lock type.

EXTERIOR INTERIOR

EXTERIOR INTERIOR

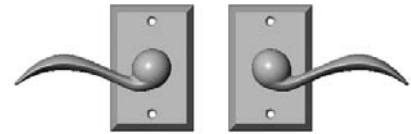
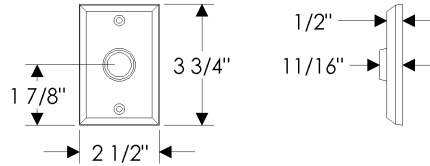


EB50 EB50

Passage Spring Latch \$ 217.00
 Privacy Spring Latch \$ 224.00

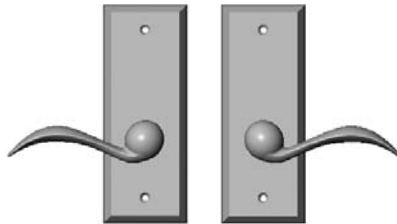
RECTANGULAR ESCUTCHEONS

2 1/2" x 3 3/4" Escutcheons



EB50 EB50

Single Dummy \$ 87.00
 Full Dummy \$ 174.00

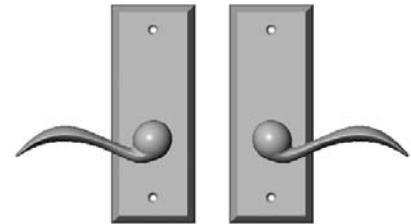
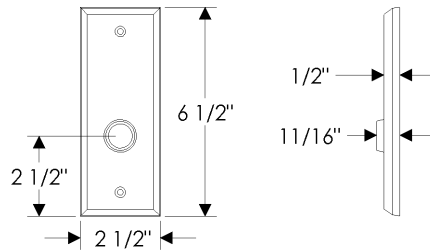


EB55 EB55

Passage Spring Latch \$ 238.00
 Privacy Spring Latch \$ 245.00

RECTANGULAR ESCUTCHEONS

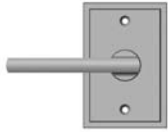
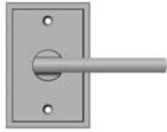
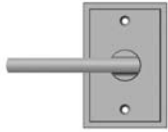
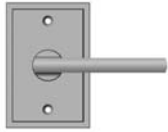
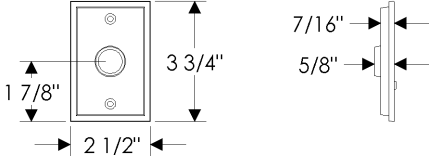
2 1/2" x 6 1/2" Escutcheons





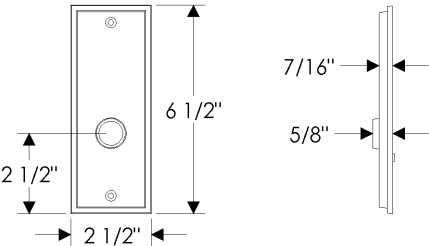


EB55 EB55

Single Dummy \$ 98.00
 Full Dummy \$ 196.00

- All finishes are priced the same.
- Price includes your choice of any Builder Series knob or lever (KB40, KB50, KB60, LB30, LB50, or LB60).
- Combinations are shown with LB60 Small Olympus Lever for illustration purposes only. Refer to page K1 for desired handle.
- Specify metal, patina, handing, backset, door thickness, and lock type.

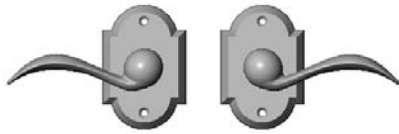
EXTERIOR	INTERIOR		EXTERIOR	INTERIOR
		STEPPED ESCUTCHEONS 2 1/2" x 3 3/4" Escutcheons		
EB40	EB40		EB40	EB40
Passage Spring Latch \$ 217.00 Privacy Spring Latch \$ 224.00			Single Dummy \$ 87.00 Full Dummy \$ 174.00	

		STEPPED ESCUTCHEONS 2 1/2" x 6 1/2" Escutcheons		
EB45	EB45		EB45	EB45
Passage Spring Latch \$ 238.00 Privacy Spring Latch \$ 245.00			Single Dummy \$ 98.00 Full Dummy \$ 196.00	

- All finishes are priced the same.
- Price includes your choice of any Builder Series knob or lever (KB40, KB50, KB60, LB30, LB50, or LB60).
- Combinations are shown with LB50 Small Beaver Tail Lever for illustration purposes only. Refer to page K1 for desired handle.
- Specify metal, patina, handing, backset, door thickness, and lock type.

EXTERIOR INTERIOR

EXTERIOR INTERIOR

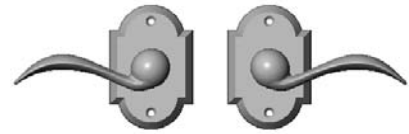
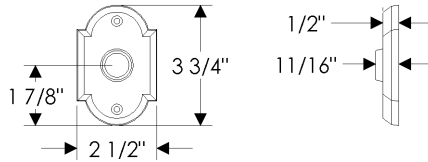


EB70 EB70

Passage Spring Latch \$ 217.00
 Privacy Spring Latch \$ 224.00

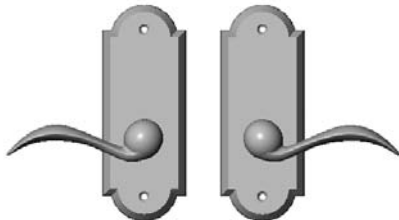
ARCHED ESCUTCHEONS

2 1/2" x 3 3/4" Escutcheons



EB70 EB70

Single Dummy \$ 87.00
 Full Dummy \$ 174.00

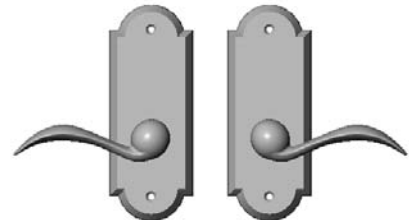
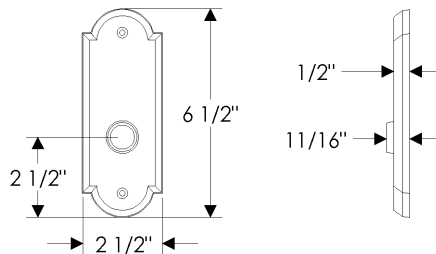


EB75 EB75

Passage Spring Latch \$ 238.00
 Privacy Spring Latch \$ 245.00

ARCHED ESCUTCHEONS

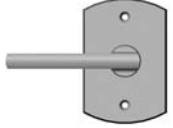
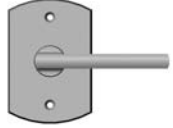
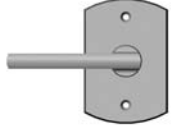
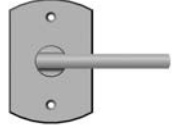
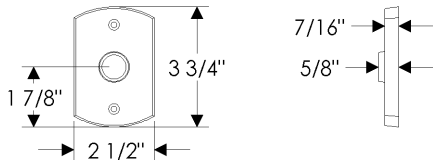
2 1/2" x 6 1/2" Escutcheons


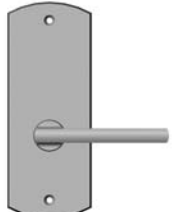
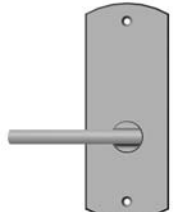
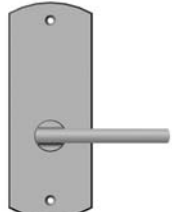
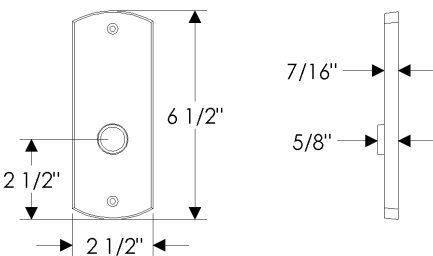


EB75 EB75

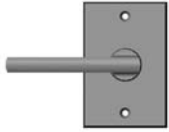
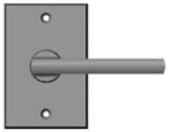
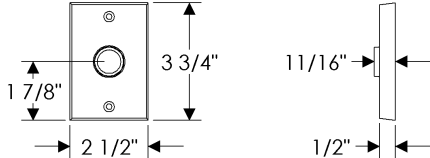
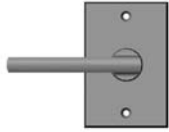
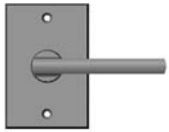
Single Dummy \$ 98.00
 Full Dummy \$ 196.00

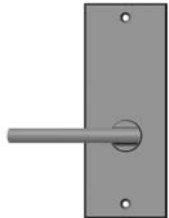
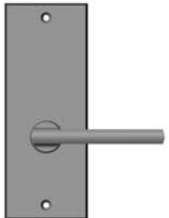
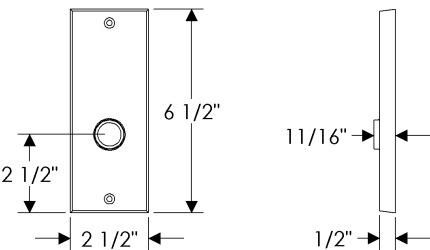
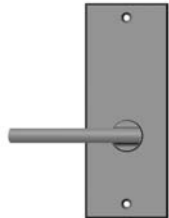
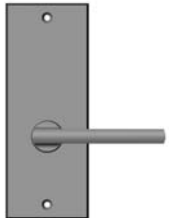
- All finishes are priced the same.
- Price includes your choice of any Builder Series knob or lever (KB40, KB50, KB60, LB30, LB50, or LB60).
- Combinations are shown with LB60 Small Olympus Lever for illustration purposes only. Refer to page K1 for desired handle.
- Specify metal, patina, handing, backset, door thickness, and lock type.

	EXTERIOR	INTERIOR		EXTERIOR	INTERIOR
			CURVED ESCUTCHEONS 2 1/2" x 3 3/4" Escutcheons		
	EB80	EB80		EB80	EB80
Passage Spring Latch	\$	217.00		Single Dummy	\$ 87.00
Privacy Spring Latch	\$	224.00		Full Dummy	\$ 174.00

			CURVED ESCUTCHEONS 2 1/2" x 6 1/2" Escutcheons		
	EB85	EB85		EB85	EB85
Passage Spring Latch	\$	238.00		Single Dummy	\$ 98.00
Privacy Spring Latch	\$	245.00		Full Dummy	\$ 196.00

- All finishes are priced the same.
- Price includes your choice of any Builder Series knob or lever (KB40, KB50, KB60, LB30, LB50, or LB60).
- Combinations are shown with LB60 Small Olympus Lever for illustration purposes only. Refer to page K1 for desired handle.
- Specify metal, patina, handing, backset, door thickness, and lock type.

EXTERIOR	INTERIOR		EXTERIOR	INTERIOR
		<p>METRO ESCUTCHEONS 2 1/2" x 3 3/4" Escutcheons</p> 		
EB20	EB20		EB20	EB20
Passage Spring Latch	\$ 217.00		Single Dummy	\$ 87.00
Privacy Spring Latch	\$ 224.00		Full Dummy	\$ 174.00

		<p>METRO ESCUTCHEONS 2 1/2" x 6 1/2" Escutcheons</p> 		
EB25	EB25		EB25	EB25
Passage Spring Latch	\$ 238.00		Single Dummy	\$ 98.00
Privacy Spring Latch	\$ 245.00		Full Dummy	\$ 196.00