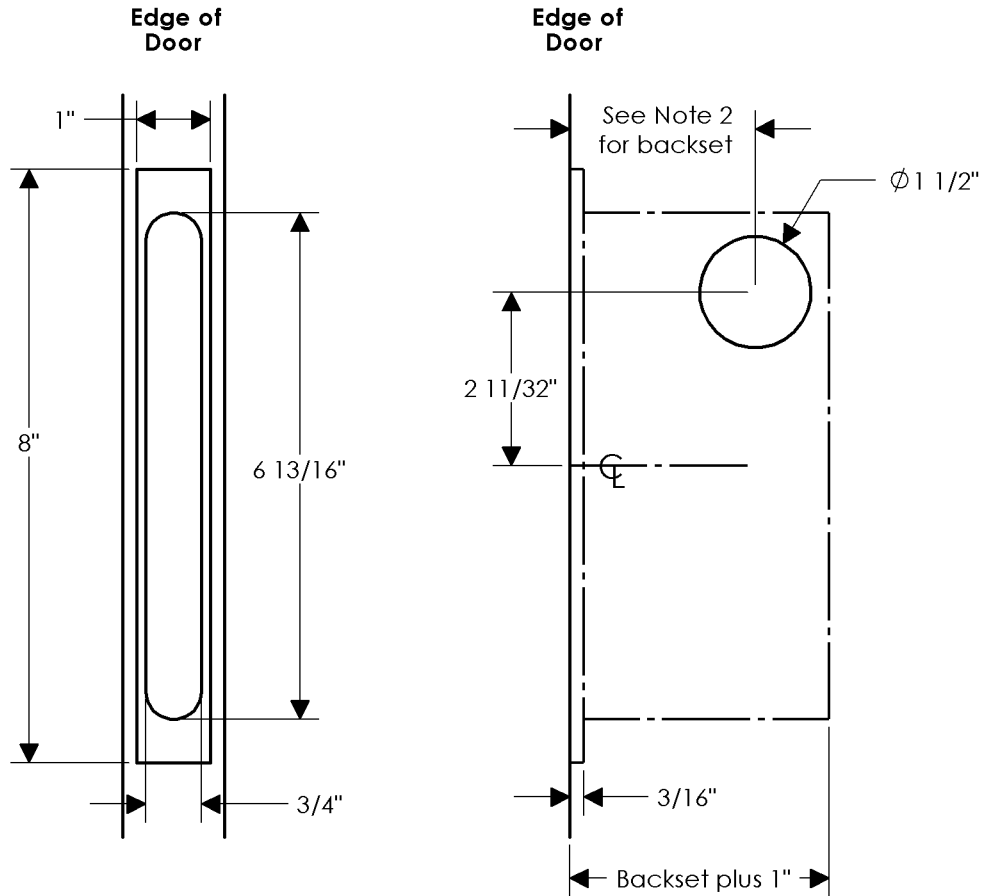


Entry Pocket Door Lock 2002—Exterior



Notes:

- 1. Standard location of mortise lock is determined by placing the lever or knob 36" above finish floor. However, this may be adjusted for special applications.
- 2. This bore specification is applicable for 2 1/2", 2 3/4", 3 3/4", 5" or 6" backset mortise locks.