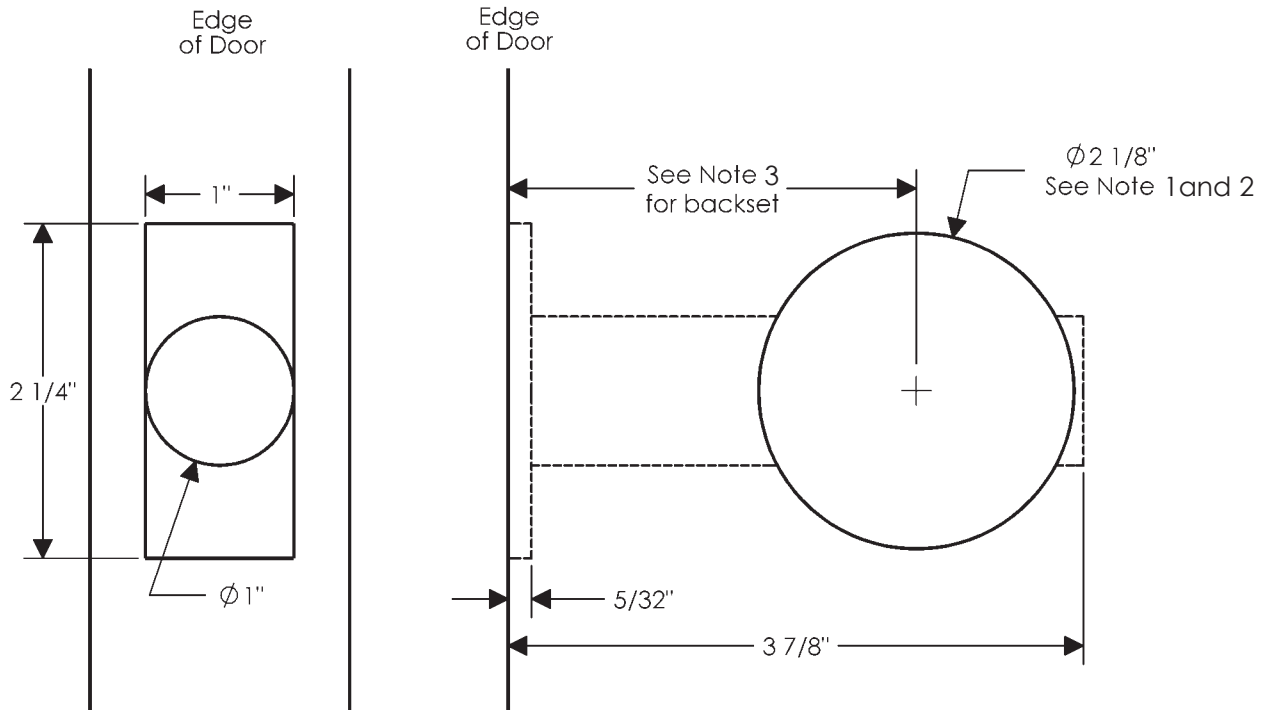


Passage Spring Latch—Interior/Exterior



Notes:

1. This face bore does not work for E101, E103, E201, E202, E204, E205, E206, E415, E416, E417, E418, E589, E820, E828, E10820, E10871, E30802, and E30803. These escutcheons require a 7/8" face bore.
2. This face bore does not work for E10010 or E10015. These escutcheons require a 1 5/8" face bore offset 1/8" down from center of spring latch.
3. This bore specification is applicable for 2 3/8" or 2 3/4" backset spring latches.