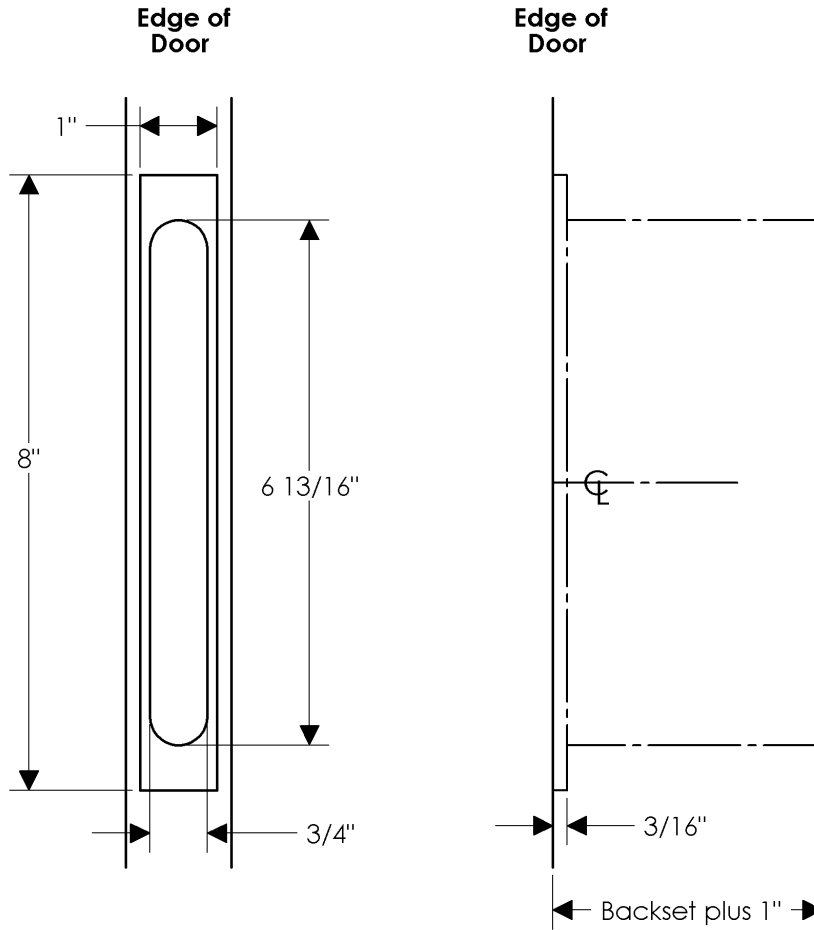


Patio Pocket Door Lock 2002—Exterior



Notes:

1. Standard location of mortise lock is determined by placing the lever or knob 36" above finish floor. However, this may be adjusted for special applications.
2. This bore specification is applicable for 2 1/2", 2 3/4", 3 3/4", 5" or 6" backset mortise locks.