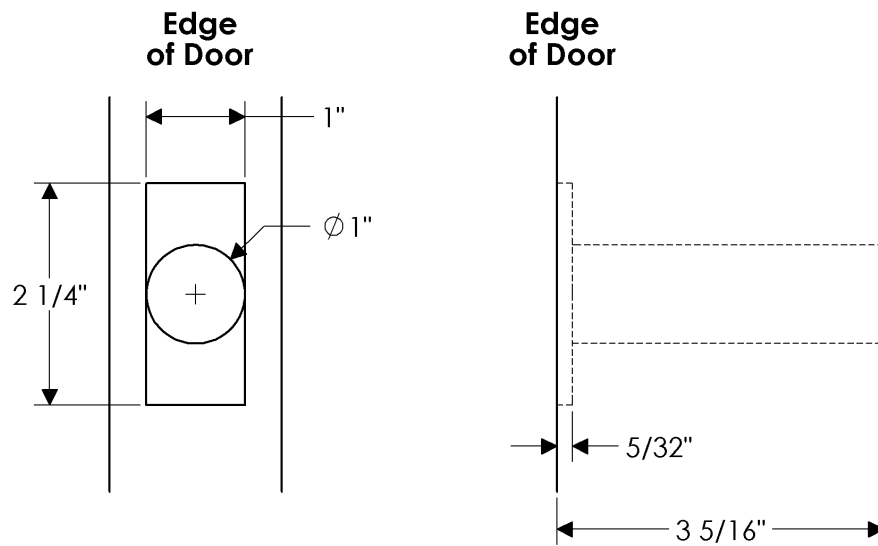


### Pocket Door Edge Pull 161PDP



**Notes:**

1. This bore specification is applicable for  $2 \frac{3}{8}$ " or  $2 \frac{3}{4}$ " backset.