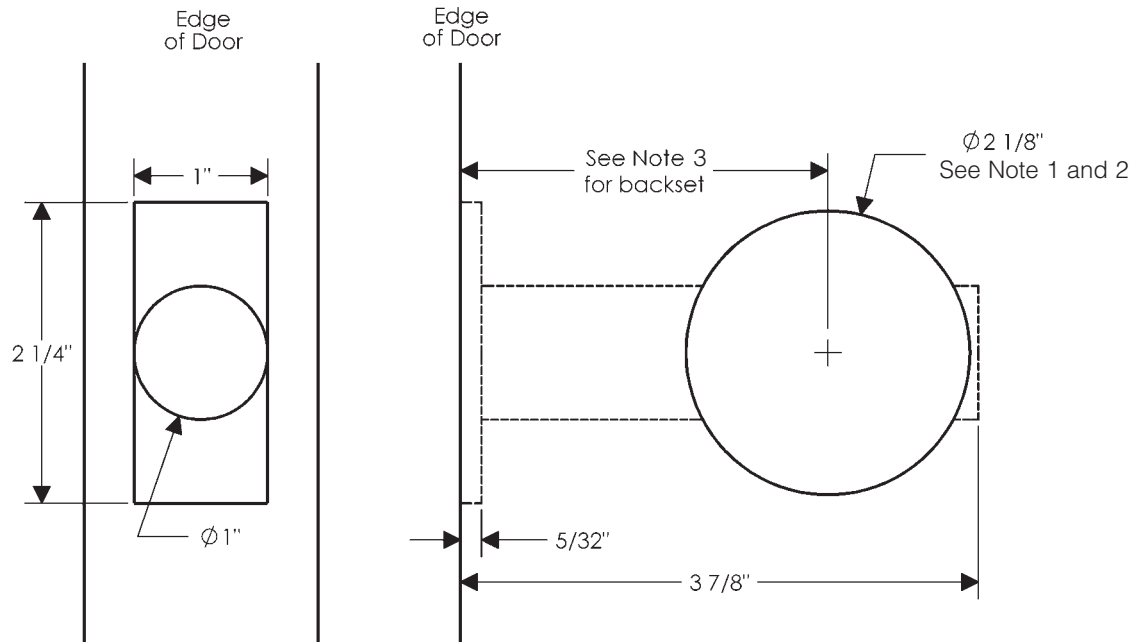


Privacy Spring Latch—Interior/Exterior



Notes:

1. This face bore does not work for E101, E103, E201, E202, E204, E205, E206, E415, E416, E417, E418, E589, E820, E828, E10820, E10871, E30802, and E30803. See page U7 for correct face bore.
2. This face bore does not work for E10010 or E10015. These escutcheons require a 1 5/8" face bore offset 1/8" down from center of spindle, or 1 7/16" down from center line of lock.
3. This bore specification is applicable for 2 3/8" or 2 3/4" backset privacy spring latches.