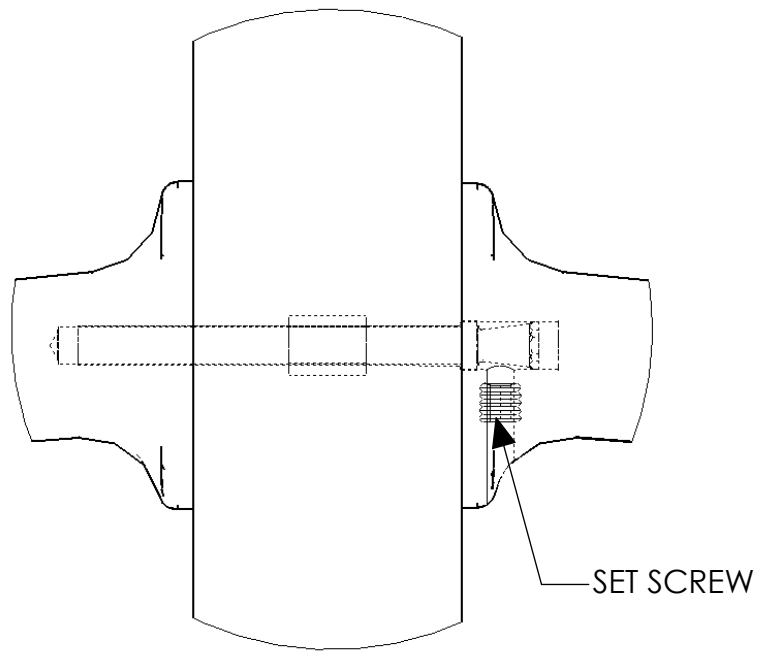
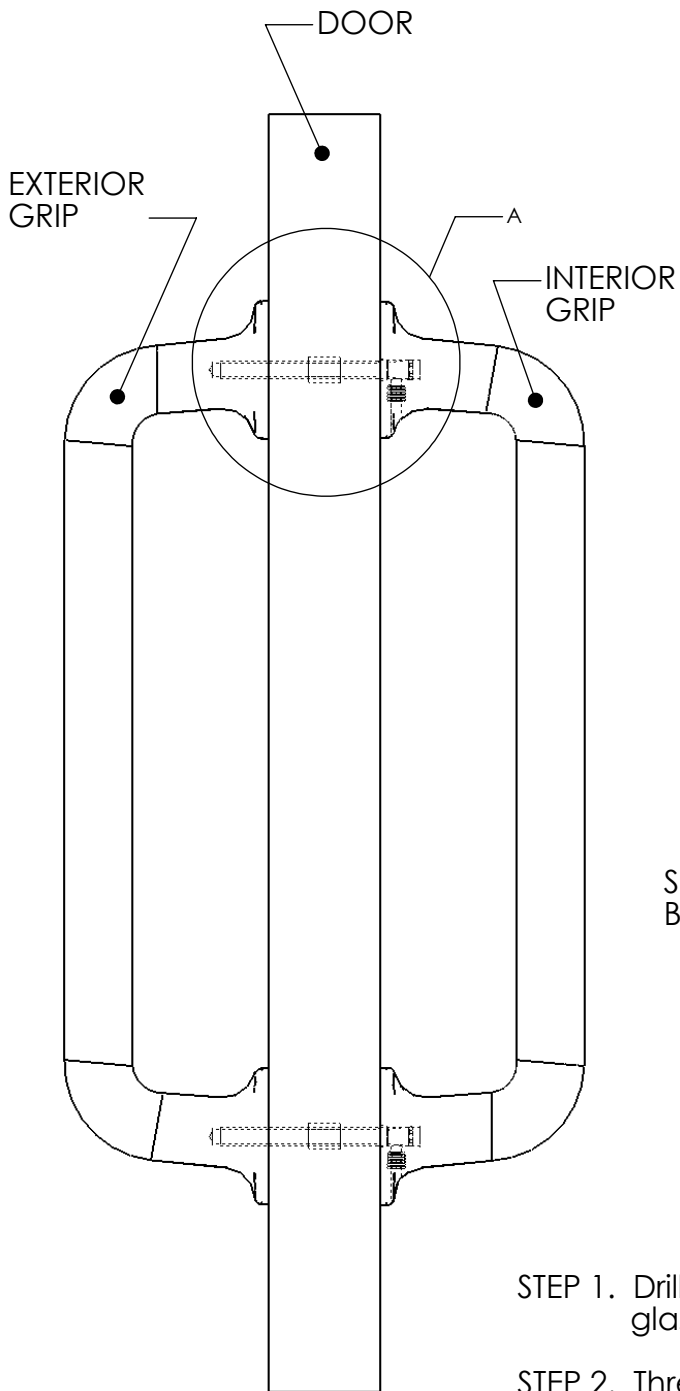
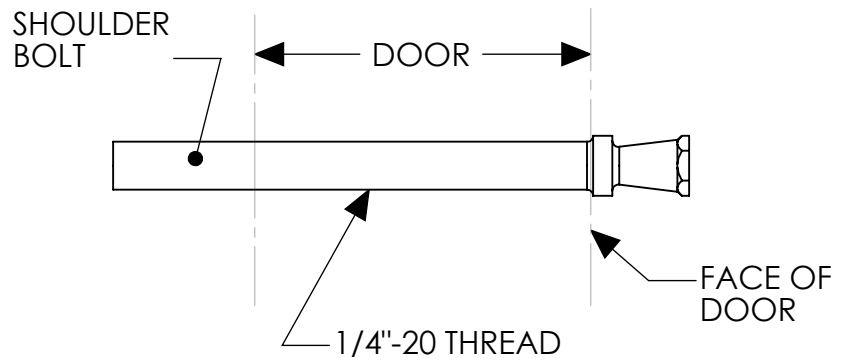


THIS SPECIFICATION IS FOR 10" AND SMALLER CENTER TO CENTER GRIPS ONLY.



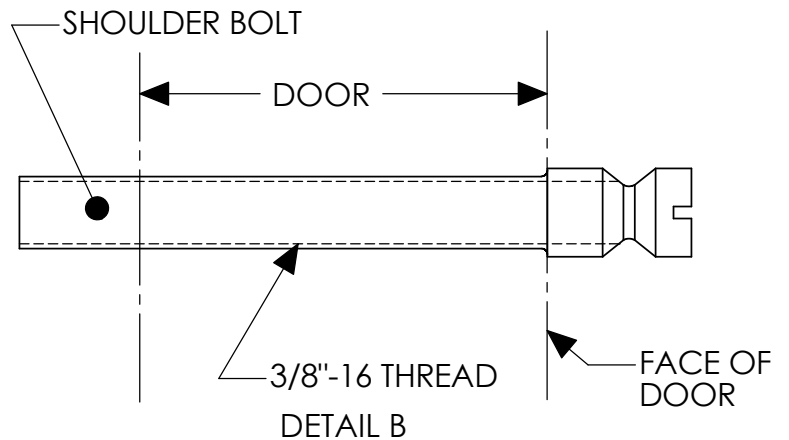
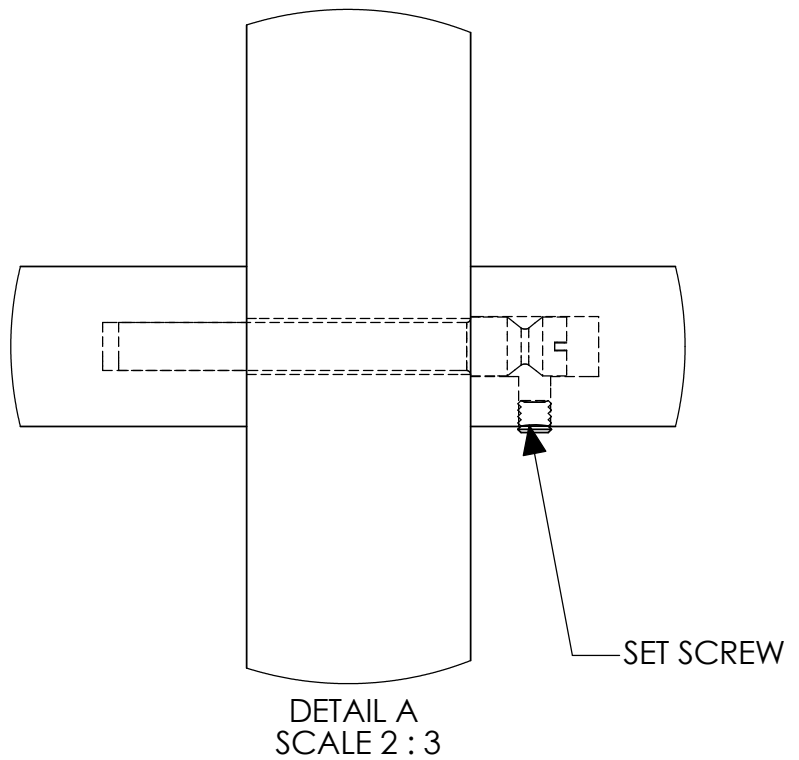
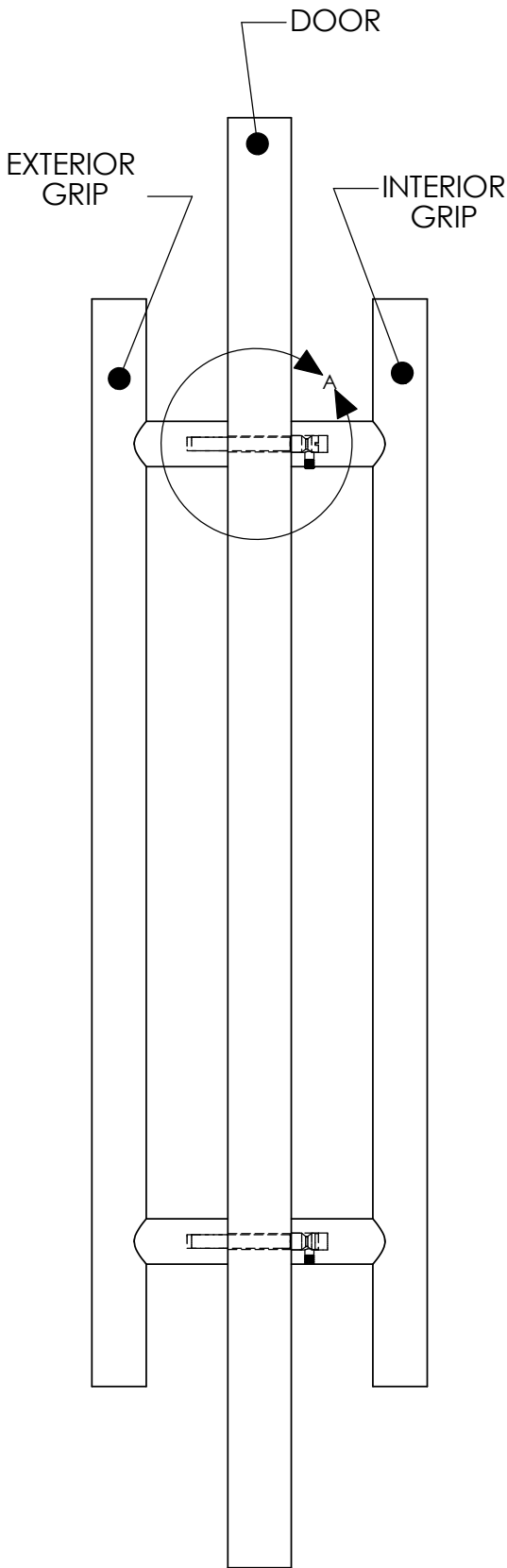
DETAIL A
SCALE 1 : 1.25



- STEP 1. Drill $9/32"$ ϕ mounting holes through door. ($3/8"$ ϕ for glass doors to accommodate for plastic sleeve.)
- STEP 2. Thread shoulder bolts through door into exterior grip.
- STEP 3. With exterior grip pressed tight against door, adjust bolts such that the set screws of interior grip intersect the shoulder bolts as shown above.
- STEP 4. Install interior grip over the heads of the shoulder bolts.
- STEP 5. Press both grips tight to door and tighten set screws. (Use of clamps highly recommended)

				NAME SMALL BTB MOUNTING INSTRUCTIONS			CUSTOMER NAME xxxxxxxx	
MADE FROM BTB .250 SHOULDER BOLTS	ORDER # xxxxx	DRAWN BY: MJJM	DATE 7/20/04	REV. # N/A	REV. DATE N/A	SIZE A	SHEET 1 OF 1	

THIS SPECIFICATION IS FOR GRIPS WITH CENTER TO CENTER
MOUNTING LOCATIONS GREATER THEN 10"



- STEP 1. Drill $7/16"$ ϕ mounting holes through door. ($1/2"$ ϕ for glass doors to accommodate for plastic sleeve.)
- STEP 2. Thread shoulder bolts through door into exterior grip.
- STEP 3. With exterior grip pressed tight against door, adjust bolts such that the set screws of interior grip intersect the shoulder bolts as shown in Detail A above.
- STEP 4. Install interior grip over heads of the shoulder bolts.
- STEP 5. Press both grips tight to door and tighten set screws. (Use of clamps highly recommended)

				NAME BTBOS MOUNTING INSTRUCTIONS			CUSTOMER NAME xxxxxxx	
MADE FROM BTB .375 SHOULDER BOLTS	ORDER # xxxxx	DRAWN BY: MJJM	DATE 9/25/03	REV. # C	REV. DATE 6/28/06	SIZE A	SHEET 1 OF 1	