

Sample Order / Cheat Sheet  
J Screen Door Hardware 1/2

QUOTE  ORDER

NAME: \_\_\_\_\_

PO# \_\_\_\_\_

ADDRESS: \_\_\_\_\_

DELIVERY: \_\_\_\_\_

\_\_\_\_\_

ADDRESS: \_\_\_\_\_



ORDER DATE: \_\_\_\_\_

OFFICE PHONE: \_\_\_\_\_

CONTACT: \_\_\_\_\_

FAX PHONE: \_\_\_\_\_

JOB NAME: \_\_\_\_\_

JOB PHONE: \_\_\_\_\_

**HARDWARE WORK ORDER**

Toll Free 888.788.2013 or 208.788.2013; Fax 208.788.2577

2002 12 04

LINE NO.	FUNCTION	HANDLE		ESCUTCHEON		METAL	PATINA	HANDING OR LENGTH	BACKSET	DOOR THICKNESS	LOCK TYPE	DEAD BOLT TRIM	DESCRIPTION	LOCATION #	QTY.	PRICE QUOTED
		EXTERIOR	INTERIOR	EXTERIOR	INTERIOR											
1	SC-PA	LB50	LB50	E405	E405	B	D	R	134	138	ML		2 3/4" Max	2,6	2	709.00
2	SC-PR	LB60	LB60	E317	E316	W	L	RR	112	134	ML			1	1	798.00
3	SC-DU	KB50	KB50	E710	E710	B	M	L						3	1	422.00
4	SC-PO	KB60	KB60	E515	E516	W	D	LR	2	112	ML			4,5	2	789.00
5	SC-DU		LB50		E405	W	M	LR						7	1	211.00
6																

**FUNCTION**

SC-DU = Dummy  
SC-PA = Passage  
SC-PO = Patio  
SC-PR = Privacy

**HANDLE**

For a list of Levers and Knobs available for Screen Door Sets, see next page.

For specifications, refer to Section A.

**ESCUTCHEONS**

For a list of Escutcheons available for Screen Door Sets, see next page.

For configurations, specifications, and pricing, refer to content of this section.

**METAL**

B = Silicon Bronze  
W = White Bronze

**PATINA**

L = Light  
M = Medium  
D = Dark  
R = Rust  
BB = Brushed  
DL = Dark Lustre

**HANDING / LENGTH**

L = Left Hand  
R = Right Hand  
LR = Left Hand Reverse  
RR = Right Hand Reverse

**BACKSET**

112 = 1 1/2"  
134 = 1 3/4"  
2 = 2"

**DOOR THICKNESS**

118 = 1 1/8"  
138 = 1 3/8"  
112 = 1 1/2"  
134 = 1 3/4"  
178 = 1 7/8"  
2 = 2"  
214 = 2 1/4"

Up-charge for sizes below.  
Call for pricing.

212 = 2 1/2"  
258 = 2 5/8"  
234 = 2 3/4"  
3 = 3"  
314 = 3 1/4"  
312 = 3 1/2"  
4 = 4"  
N = No

**LOCK TYPE**

ML = Mortise Lock

**DEAD BOLT TRIM**

Not Applicable

**DESCRIPTION**

Maximum Projection

**LOCATION #**

Room Number or Door Number, etc.

**QTY**

Number of each desired

**PRICE**

\$ List price each

## Sample Order / Cheat Sheet

### J Screen Door Hardware 2/2

#### HANDLE

##### Levers

LB30 = Small Reed Lever  
LB50 = Small Beaver Tail Lever  
LB60 = Small Olympus Lever  
LW05 = Mini Ellis Lever  
LW10 = Mini Euro Lever  
LW15 = Mini Legacy Lever  
LW20 = Mini French Lever  
LW37 = Mini Strap Lever  
LW40 = Mini Classic Lever  
LW50 = Mini Acanthus Lever  
LW60 = Mini Harrington Lever  
LW65 = Mini Falcon Lever  
LW80 = Mini Monarch Lever  
LW85 = Mini Ribbon & Reed Lever

#### ESCUTCHEONS

##### Rectangular

E405 = 2" x 6" Rectangular  
E407 = 2" x 6" Rectangular (ER)  
E406 = 2" x 6" Rectangular (TP)

##### Stepped

E315 = 2" x 6" Stepped  
E317 = 2" x 6" Stepped (ER)  
E316 = 2" x 6" Stepped (TP)

##### Metro

E215 = 2" x 6" Metro  
E217 = 2" x 6" Metro (ER)  
E216 = 2" x 6" Metro (TP)

##### Arched

E710 = 2" x 6" Arched  
E712 = 2" x 6" Arched (ER)  
E711 = 2" x 6" Arched (TP)

##### Curved

E515 = 2" x 6" Curved  
E517 = 2" x 6" Curved (ER)  
E516 = 2" x 6" Curved (TP)

##### Ellis

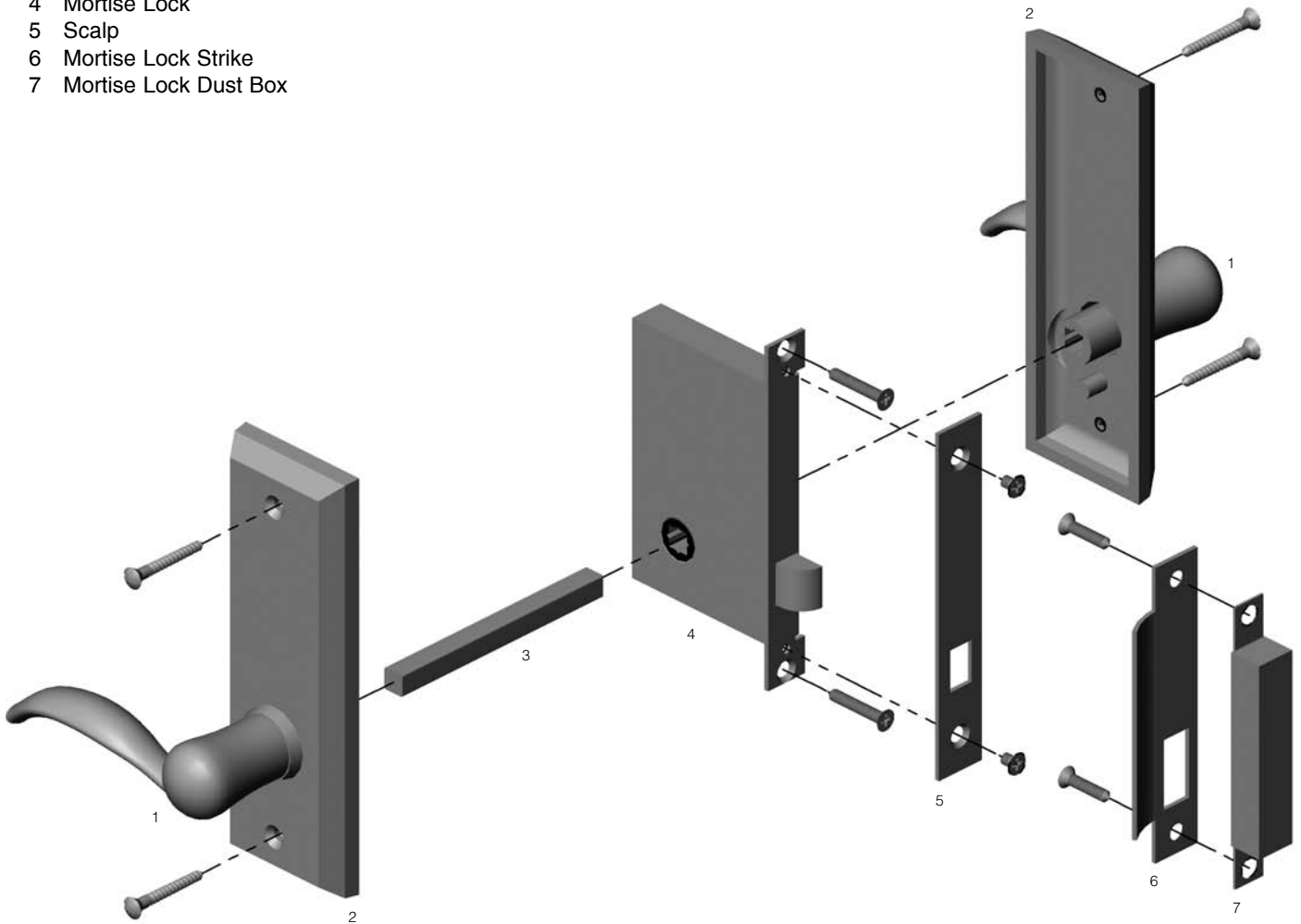
E015 = 2" x 6" Ellis  
E017 = 2" x 6" Ellis (ER)  
E016 = 2" x 6" Ellis (TP)

##### Key

(ER) = Emergency Release  
Escutcheon  
(TP) = Turn Piece Escutcheon

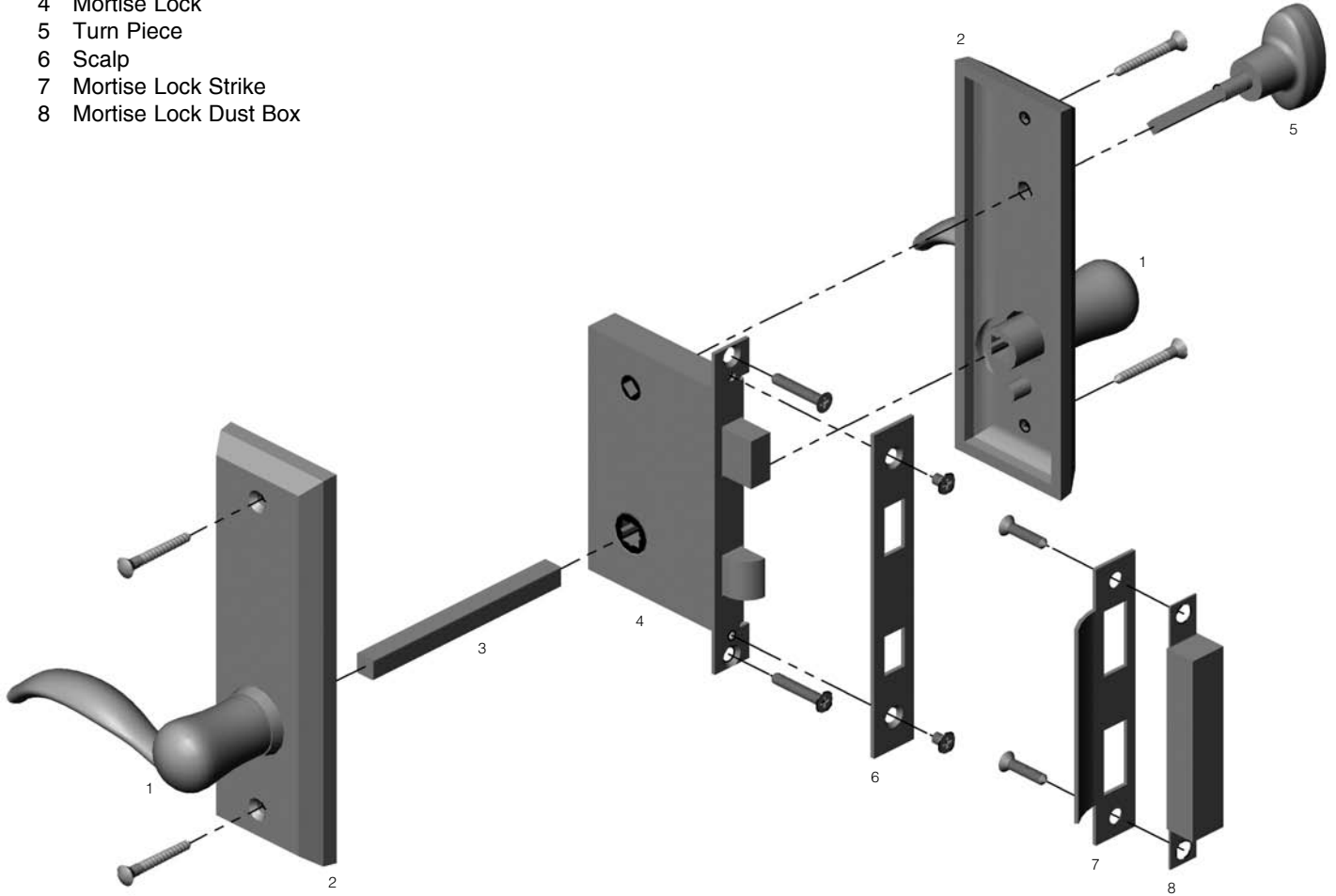
**Passage Mortise Lock Set—Lever to Lever**

- 1 Lever
- 2 Escutcheon
- 3 Straight Spindle
- 4 Mortise Lock
- 5 Scalp
- 6 Mortise Lock Strike
- 7 Mortise Lock Dust Box



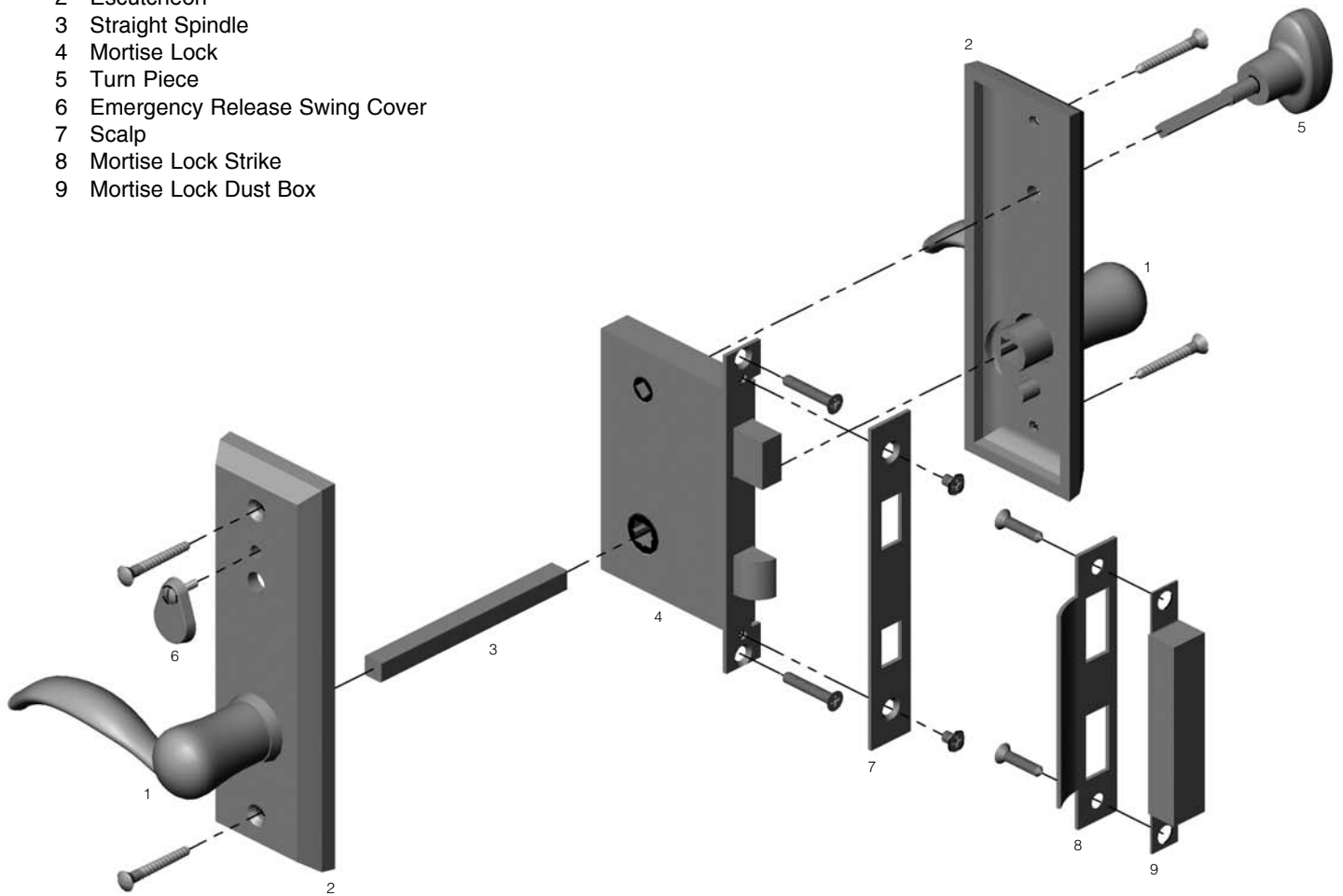
**Patio Mortise Lock Set—Lever to Lever**

- 1 Lever
- 2 Escutcheon
- 3 Straight Spindle
- 4 Mortise Lock
- 5 Turn Piece
- 6 Scalp
- 7 Mortise Lock Strike
- 8 Mortise Lock Dust Box



### Privacy Mortise Lock Set—Lever to Lever













- 1 Lever
- 2 Escutcheon
- 3 Straight Spindle
- 4 Mortise Lock
- 5 Turn Piece
- 6 Emergency Release Swing Cover
- 7 Scalp
- 8 Mortise Lock Strike
- 9 Mortise Lock Dust Box









Note: Cut Shank on Turn Piece so that it goes halfway through the Mortise Lock. This will allow a space for the emergency release key to operate the Dead Bolt.



- Price includes your choice of lever. Knobs not recommended.
- Combinations are shown with LW40 Mini Classic Lever for illustration purposes only. Refer to Page Jii for available levers.
- Refer to Section U for door preparatory specifications. Call RMH to verify compatibility of each escutcheon with pre-existing door conditions.
- When applicable, specify maximum projection requirements.
- Specify metal, patina, handing, backset, door thickness, and lock type.
- Available in 1 1/2", 1 3/4", or 2" backset.


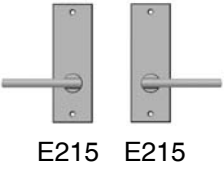

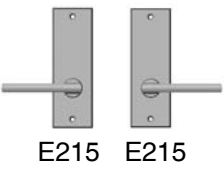

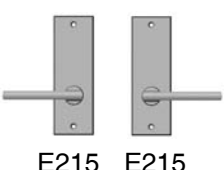
	ACTIVE	DUMMY	ESCUTCHEON OPTIONS
<b>A</b>	  E405 E405	  E405 E405	<b>A 2" x 6" Rectangular Escutcheon</b> E405 / E405 Passage Mortise Lock . . . \$709.00 E405 Single Dummy . . . . . \$211.00 E405 / E405 Full Dummy . . . . . \$422.00 Refer to spec page B7
<b>B</b>	  E405 E406	  E405 E405	<b>B 2" x 6" Rectangular Escutcheon</b> E405 / E406 Patio Mortise Lock . . . . . \$789.00 E405 Single Dummy . . . . . \$211.00 E405 / E405 Full Dummy . . . . . \$422.00 Refer to spec page B7
<b>C</b>	  E407 E406	  E405 E405	<b>C 2" x 6" Rectangular Escutcheon</b> E407 / E406 Privacy Mortise Lock . . . . \$798.00 E405 Single Dummy . . . . . \$211.00 E405 / E405 Full Dummy . . . . . \$422.00 Refer to spec page B7

- Price includes your choice of lever. Knobs not recommended.
- Combinations are shown with LB60 Mini Olympus Lever for illustration purposes only. Refer to Page *Jii* for available levers.
- Refer to Section U for door preparatory specifications. Call RMH to verify compatibility of each escutcheon with pre-existing door conditions.
- When applicable, specify maximum projection requirements.
- Specify metal, patina, handing, backset, door thickness, and lock type.
- Available in 1 1/2", 1 3/4", or 2" backset.


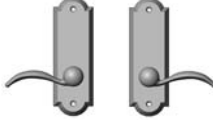



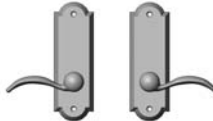
	ACTIVE	DUMMY	ESCUTCHEON OPTIONS
<b>A</b>	 <p>E315 E315</p>	 <p>E315 E315</p>	<p><b>A 2" x 6" Stepped Escutcheon</b>                      E315 / E315 Passage Mortise Lock . . . \$709.00                      E315 Single Dummy . . . . . \$211.00                      E315 / E315 Full Dummy . . . . . \$422.00                      Refer to spec page B18</p>
<b>B</b>	 <p>E315 E316</p>	 <p>E315 E315</p>	<p><b>B 2" x 6" Stepped Escutcheon</b>                      E315 / E316 Patio Mortise Lock . . . . . \$789.00                      E315 Single Dummy . . . . . \$211.00                      E315 / E315 Full Dummy . . . . . \$422.00                      Refer to spec page B18</p>
<b>C</b>	 <p>E317 E316</p>	 <p>E315 E315</p>	<p><b>C 2" x 6" Stepped Escutcheon</b>                      E317 / E316 Privacy Mortise Lock . . . . \$798.00                      E315 Single Dummy . . . . . \$211.00                      E315 / E315 Full Dummy . . . . . \$422.00                      Refer to spec page B18</p>



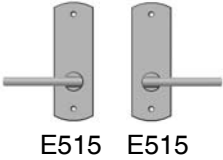
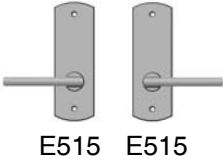

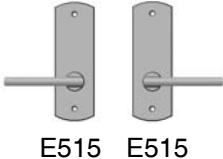

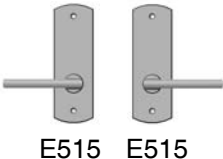
- Price includes your choice of lever. Knobs not recommended.
- Combinations are shown with LB60 Mini Olympus Lever for illustration purposes only. Refer to Page Jii for available levers.
- Refer to Section U for door preparatory specifications. Call RMH to verify compatibility of each escutcheon with pre-existing door conditions.
- When applicable, specify maximum projection requirements.
- Specify metal, patina, handing, backset, door thickness, and lock type.
- Available in 1 1/2", 1 3/4", or 2" backset.

	ACTIVE	DUMMY	ESCUTCHEON OPTIONS
<b>A</b>	 <p>E215 E215</p>	 <p>E215 E215</p>	<p><b>A 2" x 6" Metro Escutcheon</b>                      E215 / E215 Passage Mortise Lock . . . \$709.00                      E215 Single Dummy . . . . . \$211.00                      E215 / E215 Full Dummy . . . . . \$422.00                      Refer to spec page B29</p>
<b>B</b>	 <p>E215 E216</p>	 <p>E215 E215</p>	<p><b>B 2" x 6" Metro Escutcheon</b>                      E215 / E216 Patio Mortise Lock . . . . . \$789.00                      E215 Single Dummy . . . . . \$211.00                      E215 / E215 Full Dummy . . . . . \$422.00                      Refer to spec page B29</p>
<b>C</b>	 <p>E217 E216</p>	 <p>E215 E215</p>	<p><b>C 2" x 6" Metro Escutcheon</b>                      E217 / E216 Privacy Mortise Lock . . . . \$798.00                      E215 Single Dummy . . . . . \$211.00                      E215 / E215 Full Dummy . . . . . \$422.00                      Refer to spec page B29</p>







- Price includes your choice of lever. Knobs not recommended.
- Combinations are shown with LW40 Mini Classic Lever for illustration purposes only. Refer to Page Jii for available levers.
- Refer to Section U for door preparatory specifications. Call RMH to verify compatibility of each escutcheon with pre-existing door conditions.
- When applicable, specify maximum projection requirements.
- Specify metal, patina, handing, backset, door thickness, and lock type.
- Available in 1 1/2", 1 3/4", or 2" backset.

	ACTIVE	DUMMY	ESCUTCHEON OPTIONS
<b>A</b>	 E710 E710	 E710 E710	<b>A 2" x 6" Arched Escutcheon</b> E710 / E710 Passage Mortise Lock . . . \$709.00 E710 Single Dummy . . . . . \$211.00 E710 / E710 Full Dummy . . . . . \$422.00 Refer to spec page B40
<b>B</b>	 E710 E711	 E710 E710	<b>B 2" x 6" Arched Escutcheon</b> E710 / E711 Patio Mortise Lock . . . . . \$789.00 E710 Single Dummy . . . . . \$211.00 E710 / E710 Full Dummy . . . . . \$422.00 Refer to spec page B40
<b>C</b>	 E712 E711	 E710 E710	<b>C 2" x 6" Arched Escutcheon</b> E712 / E711 Privacy Mortise Lock . . . . \$798.00 E710 Single Dummy . . . . . \$211.00 E710 / E710 Full Dummy . . . . . \$422.00 Refer to spec page B40

- Price includes your choice of lever. Knobs not recommended.
- Combinations are shown with LB60 Mini Olympus Lever for illustration purposes only. Refer to Page *Jii* for available levers.
- Refer to Section U for door preparatory specifications. Call RMH to verify compatibility of each escutcheon with pre-existing door conditions.
- When applicable, specify maximum projection requirements.
- Specify metal, patina, handing, backset, door thickness, and lock type.
- Available in 1 1/2", 1 3/4", or 2" backset.

	ACTIVE	DUMMY	ESCUTCHEON OPTIONS
<b>A</b>	 <p>E515 E515</p>	 <p>E515 E515</p>	<p><b>A 2" x 6" Curved Escutcheon</b>                      E515 / E515 Passage Mortise Lock . . . \$709.00                      E515 Single Dummy . . . . . \$211.00                      E515 / E515 Full Dummy . . . . . \$422.00                      Refer to spec page B51</p>
<b>B</b>	 <p>E515 E516</p>	 <p>E515 E515</p>	<p><b>B 2" x 6" Curved Escutcheon</b>                      E515 / E516 Patio Mortise Lock . . . . . \$789.00                      E515 Single Dummy . . . . . \$211.00                      E515 / E515 Full Dummy . . . . . \$422.00                      Refer to spec page B51</p>
<b>C</b>	 <p>E517 E516</p>	 <p>E515 E515</p>	<p><b>C 2" x 6" Curved Escutcheon</b>                      E517 / E516 Privacy Mortise Lock . . . . \$798.00                      E515 Single Dummy . . . . . \$211.00                      E515 / E515 Full Dummy . . . . . \$422.00                      Refer to spec page B51</p>

- Price includes your choice of lever. Knobs not recommended.
- Combinations are shown with LW05 Mini Ellis Lever for illustration purposes only. Refer to Page Jii for available levers.
- Refer to Section U for door preparatory specifications. Call RMH to verify compatibility of each escutcheon with pre-existing door conditions.
- When applicable, specify maximum projection requirements.
- Specify metal, patina, handing, backset, door thickness, and lock type.
- Available in 1 1/2", 1 3/4", or 2" backset.

	ACTIVE	DUMMY	ESCUTCHEON OPTIONS
<b>A</b>	 <p>E015 E015</p>	 <p>E015 E015</p>	<p><b>A 2" x 6" Ellis Escutcheon</b></p> <p>E015 / E015 Passage Mortise Lock . . . \$858.00</p> <p>E015 Single Dummy . . . . . \$285.00</p> <p>E015 / E015 Full Dummy . . . . . \$570.00</p> <p>Refer to spec page B75</p>
<b>B</b>	 <p>E015 E016</p>	 <p>E015 E015</p>	<p><b>B 2" x 6" Ellis Escutcheon</b></p> <p>E015 / E016 Patio Mortise Lock . . . . . \$939.00</p> <p>E015 Single Dummy . . . . . \$285.00</p> <p>E015 / E015 Full Dummy . . . . . \$570.00</p> <p>Refer to spec page B75</p>
<b>C</b>	 <p>E017 E016</p>	 <p>E015 E015</p>	<p><b>C 2" x 6" Ellis Escutcheon</b></p> <p>E017 / E016 Privacy Mortise Lock . . . . \$948.00</p> <p>E015 Single Dummy . . . . . \$285.00</p> <p>E015 / E015 Full Dummy . . . . . \$570.00</p> <p>Refer to spec page B75</p>