

**Sample Order / Cheat Sheet**  
K Builder Series 1/2

QUOTE     ORDER

NAME: \_\_\_\_\_

PO# \_\_\_\_\_

ADDRESS: \_\_\_\_\_

DELIVERY: \_\_\_\_\_

ADDRESS: \_\_\_\_\_



ORDER DATE: \_\_\_\_\_

OFFICE PHONE: \_\_\_\_\_

CONTACT: \_\_\_\_\_

FAX PHONE: \_\_\_\_\_

JOB NAME: \_\_\_\_\_

JOB PHONE: \_\_\_\_\_

**HARDWARE WORK ORDER**

Toll Free 888.788.2013 or 208.788.2013; Fax 208.788.2577

201012

LINE NO.	FUNCTION	HANDLE		ESCUTCHEON		METAL	PATINA	HANDING OR LENGTH	BACKSET	DOOR THICKNESS	LOCK TYPE	DEAD BOLT TRIM	DESCRIPTION	LOCATION #	QTY.	PRICE QUOTED
		EXTERIOR	INTERIOR	EXTERIOR	INTERIOR											
1	BPA	LB60	LB60	EB40	EB40	B	D	R	238	138	SL			1	1	260.00
2	BPR	LB50	LB50	EB75	EB75	B	R	L	234	134	SL			2	1	291.00
3	BDU	KB60	KB60	EB50	EB50	W	L	L						3	1	192.00
4	BDU	LB50	N	EB55	N	W	M	R						4	1	216.00

**FUNCTION**

BPA = Builder Passage  
BPR = Builder Privacy  
BDU = Builder Dummy  
BHNG = Extruded Door Hinge

**HANDLE**

For a list of Levers and Knobs available for Builder Series Sets, see next page.

For specifications, refer to Page K1.

**ESCUTCHEONS**

For a list of Escutcheons available for Builder Series Sets, see next page.

For configurations, specifications, and pricing, refer to content of this section.

**METAL**

B = Silicon Bronze  
W = White Bronze

**PATINA**

L = Light  
M = Medium  
D = Dark  
R = Rust  
BB = Brushed  
DL = Dark Lustre

**HANDING**

See Hinged Door Handing diagram, next page.

L = Left Hand

R = Right Hand

LR = Left Hand Reverse

RR = Right Hand Reverse

**BACKSET**

238 = 2 3/8" SL  
234 = 2 3/4" SL  
N = No

**DOOR THICKNESS**

138 = 1 3/8"  
112 = 1 1/2"  
134 = 1 3/4"  
178 = 1 7/8"  
2 = 2"

Up-charge for sizes below.

Call for pricing.

214 = 2 1/4"  
212 = 2 1/2"  
258 = 2 5/8"  
234 = 2 3/4"  
3 = 3"  
314 = 3 1/4"  
312 = 3 1/2"  
4 = 4"  
N = No

**LOCK TYPE**

Complete Sets  
SL = Spring Latch

**DEAD BOLT TRIM**

Not Applicable

**DESCRIPTION**

See Page Kii

**LOCATION #**

Room Number or Door Number, etc.

**QTY**

Number of each desired

**PRICE**

\$ List price each

**HANDLES**

**Levers**

- LB30 = Small Reed Lever
- LB50 = Small Beaver Tail Lever
- LB60 = Small Olympus Lever

**Knobs**

- KB40 = Small Squash Knob
- KB50 = Small Potato Knob
- KB60 = Small Luna Knob

**ESCUTCHEONS**

**Rectangular**

- EB50 = 2 1/2" x 3 3/4" Rect
- EB55 = 2 1/2" x 6 1/2" Rect
- EB56 = 2 1/2" x 6 1/2" Rect (TP)

**Stepped**

- EB40 = 2 1/2" x 3 3/4" Stepped
- EB45 = 2 1/2" x 6 1/2" Stepped
- EB46 = 2 1/2" x 6 1/2" Stepped (TP)

**Arched**

- EB70 = 2 1/2" x 3 3/4" Arched
- EB75 = 2 1/2" x 6 1/2" Arched
- EB76 = 2 1/2" x 6 1/2" Arched (TP)

**Curved**

- EB80 = 2 1/2" x 3 3/4" Curved
- EB85 = 2 1/2" x 6 1/2" Curved
- EB86 = 2 1/2" x 6 1/2" Curved (TP)

**Metro**

- EB20 = 2 1/2" x 3 3/4" Metro
- EB25 = 2 1/2" x 6 1/2" Metro
- EB26 = 2 1/2" x 6 1/2" Metro (TP)

**DESCRIPTION**

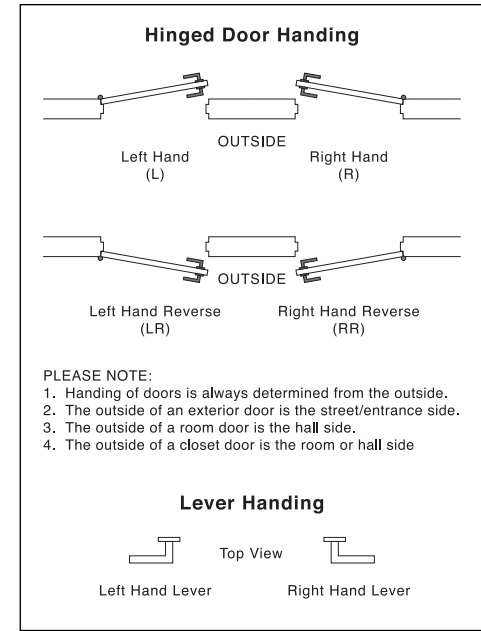
**1/2" Barrel Extruded Hinges**

- HNG3.5B = Plain Bearing Hinge, 3 1/2" x 3 1/2"
- HNG4B = Plain Bearing Hinge, 4" x 4"
- HNG4.5B = Plain Bearing Hinge, 4 1/2" x 4 1/2"

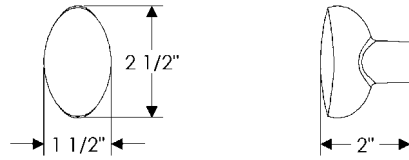
**Finial Caps**

- XT50 = Finial Cap, 1/2" Standard
- BT50 = Finial Cap, 1/2" Ball
- AT50 = Finial Cap, 1/2" Acorn

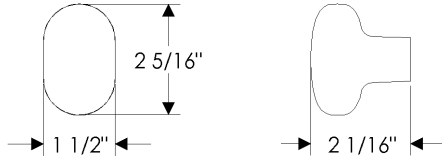
**HANDING**



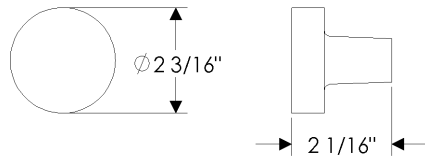
**Knobs and Levers available for Builder Series combinations**



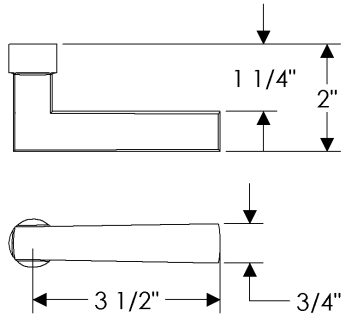
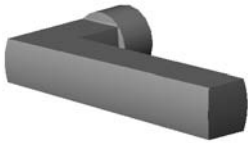
**KB40** Small Squash Knob



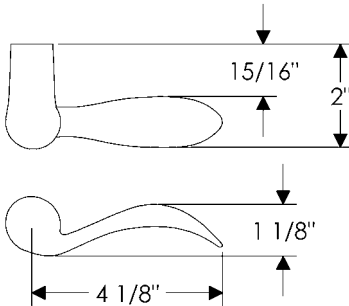
**KB50** Small Potato Knob



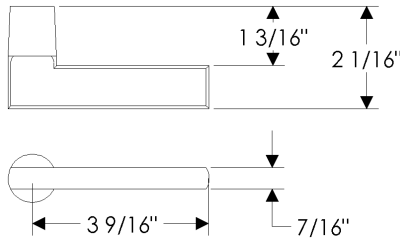
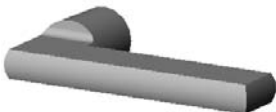
**KB60** Small Luna Knob



**LB30** Small Reed Lever

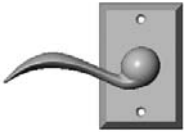
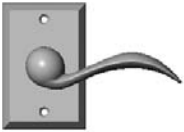
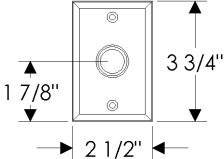
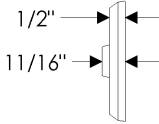
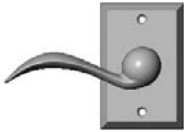
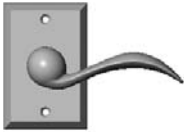


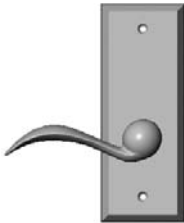
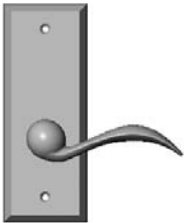
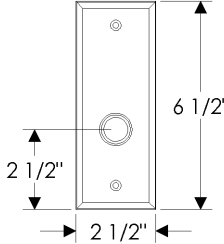
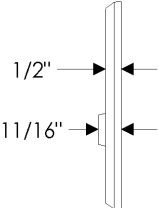
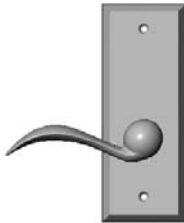
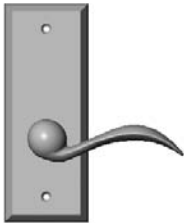
**LB50** Small Beaver Tail Lever

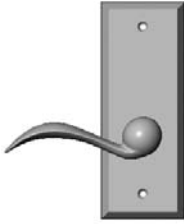

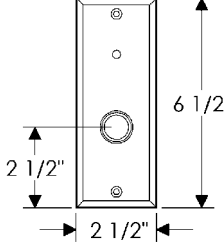
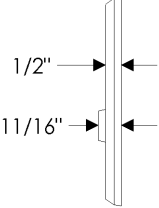




**LB60** Small Olympus Lever

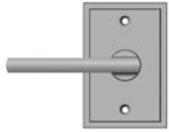
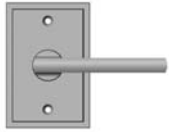
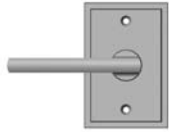
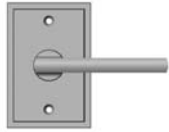
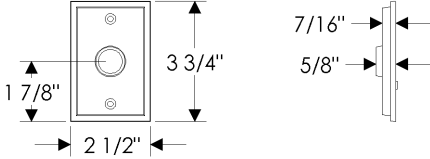
- Price includes your choice of any Builder Series knob or lever (KB40, KB50, KB60, LB30, LB50, or LB60).
- Combinations are shown with LB50 Small Beaver Tail Lever for illustration purposes only. Refer to page K1 for desired handle.
- Specify metal, patina, handing, backset, door thickness, and lock type.





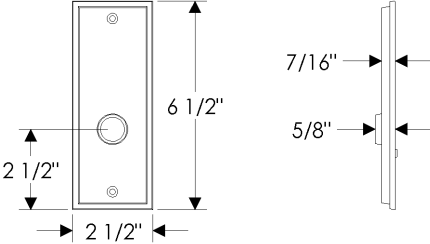
EXTERIOR	INTERIOR		EXTERIOR	INTERIOR
		<h3 style="margin: 0;">RECTANGULAR ESCUTCHEONS</h3> <p style="margin: 0;">2 1/2" x 3 3/4" Escutcheons</p> <div style="display: flex; justify-content: space-around; align-items: center;"> <div style="text-align: center;">  </div> <div style="text-align: center;">  </div> </div>		
EB50	EB50		EB50	EB50
Passage Spring Latch . . . . . \$ 260.00 Privacy Spring Latch. . . . . \$ 268.00			Single Dummy . . . . . \$ 96.00 Full Dummy . . . . . \$ 192.00	





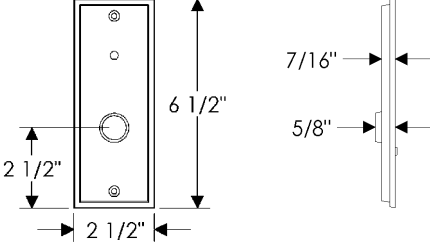
		<h3 style="margin: 0;">RECTANGULAR ESCUTCHEONS</h3> <p style="margin: 0;">2 1/2" x 6 1/2" Escutcheons</p> <div style="display: flex; justify-content: space-around; align-items: center;"> <div style="text-align: center;">  </div> <div style="text-align: center;">  </div> </div>		
EB55	EB55		EB55	EB55
Passage Spring Latch . . . . . \$ 283.00 Privacy Spring Latch. . . . . \$ 291.00			Single Dummy . . . . . \$ 108.00 Full Dummy . . . . . \$ 216.00	

		<div style="display: flex; justify-content: space-around; align-items: center;"> <div style="text-align: center;">  </div> <div style="text-align: center;">  </div> </div>		
EB55	EB56			
Passage Mortise Lock . . . . . \$ 447.00 Privacy Moritse Lock . . . . . \$ 556.00				

- Price includes your choice of any Builder Series knob or lever (KB40, KB50, KB60, LB30, LB50, or LB60).
- Combinations are shown with LB60 Small Olympus Lever for illustration purposes only. Refer to page K1 for desired handle.
- Specify metal, patina, handing, backset, door thickness, and lock type.

EXTERIOR	INTERIOR			EXTERIOR	INTERIOR
		<b>STEPPED ESCUTCHEONS</b> 2 1/2" x 3 3/4" Escutcheons			
EB40	EB40			EB40	EB40
Passage Spring Latch . . . . .	\$ 260.00			Single Dummy . . . . .	\$ 96.00
Privacy Spring Latch. . . . .	\$ 268.00			Full Dummy . . . . .	\$ 192.00

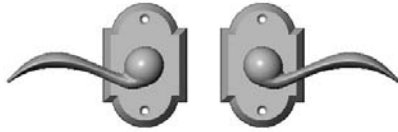
		<b>STEPPED ESCUTCHEONS</b> 2 1/2" x 6 1/2" Escutcheons			
EB45	EB45			EB45	EB45
Passage Spring Latch . . . . .	\$ 283.00			Single Dummy . . . . .	\$ 108.00
Privacy Spring Latch. . . . .	\$ 291.00			Full Dummy . . . . .	\$ 216.00

		<b>STEPPED ESCUTCHEONS</b> 2 1/2" x 6 1/2" Escutcheons			
EB45	EB46			EB45	EB46
Passage Mortise Lock . . . . .	\$ 447.00				
Privacy Moritse Lock . . . . .	\$ 556.00				

- Price includes your choice of any Builder Series knob or lever (KB40, KB50, KB60, LB30, LB50, or LB60).
- Combinations are shown with LB50 Small Beaver Tail Lever for illustration purposes only. Refer to page K1 for desired handle.
- Specify metal, patina, handing, backset, door thickness, and lock type.

EXTERIOR INTERIOR

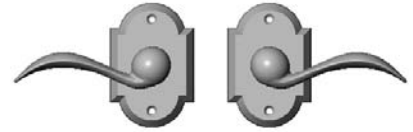
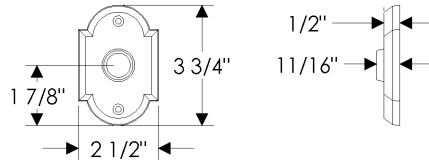
EXTERIOR INTERIOR



EB70 EB70

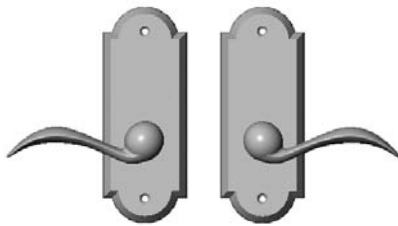
Passage Spring Latch . . . . \$ 260.00  
 Privacy Spring Latch . . . . \$ 268.00

**ARCHED ESCUTCHEONS**  
 2 1/2" x 3 3/4" Escutcheons



EB70 EB70

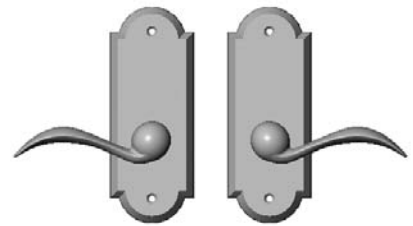
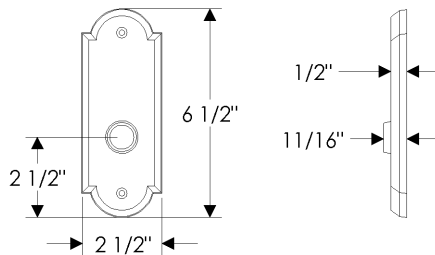
Single Dummy . . . . . \$ 96.00  
 Full Dummy . . . . . \$ 192.00



EB75 EB75

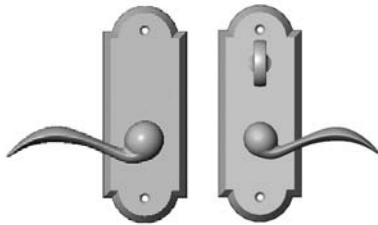
Passage Spring Latch . . . . \$ 283.00  
 Privacy Spring Latch . . . . \$ 291.00

**ARCHED ESCUTCHEONS**  
 2 1/2" x 6 1/2" Escutcheons



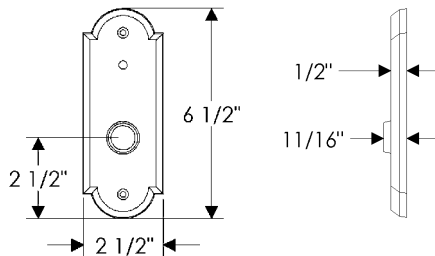
EB75 EB75

Single Dummy . . . . . \$ 108.00  
 Full Dummy . . . . . \$ 216.00

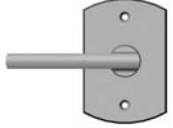
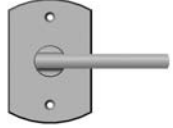
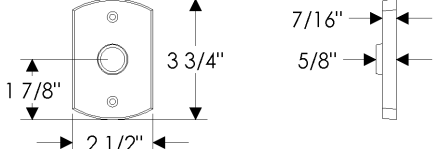
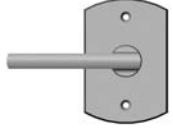
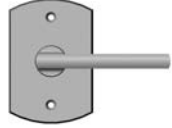



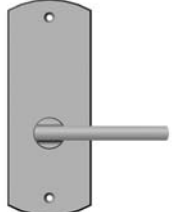
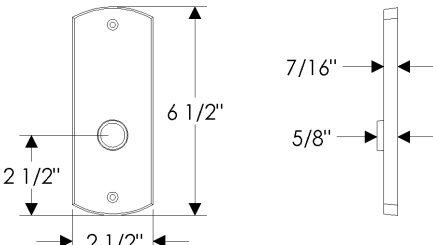
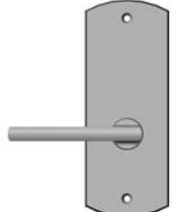
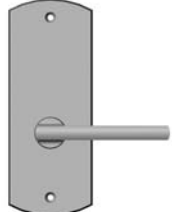
EB75 EB76

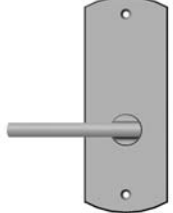

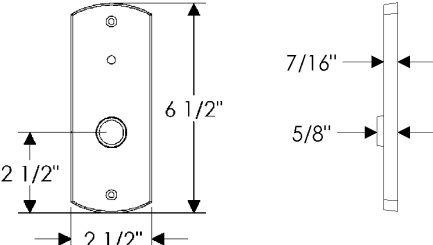


Passage Mortise Lock . . . . \$ 447.00  
 Privacy Moritse Lock . . . . \$ 556.00



- Price includes your choice of any Builder Series knob or lever (KB40, KB50, KB60, LB30, LB50, or LB60).
- Combinations are shown with LB60 Small Olympus Lever for illustration purposes only. Refer to page K1 for desired handle.
- Specify metal, patina, handing, backset, door thickness, and lock type.

EXTERIOR	INTERIOR			EXTERIOR	INTERIOR
		<p><b>CURVED ESCUTCHEONS</b> 2 1/2" x 3 3/4" Escutcheons</p> 			
EB80	EB80			EB80	EB80
Passage Spring Latch . . . . .	\$ 260.00			Single Dummy . . . . .	\$ 96.00
Privacy Spring Latch. . . . .	\$ 268.00			Full Dummy . . . . .	\$ 192.00

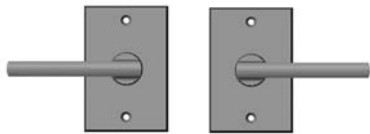
		<p><b>CURVED ESCUTCHEONS</b> 2 1/2" x 6 1/2" Escutcheons</p> 			
EB85	EB85			EB85	EB85
Passage Spring Latch . . . . .	\$ 283.00			Single Dummy . . . . .	\$ 108.00
Privacy Spring Latch. . . . .	\$ 291.00			Full Dummy . . . . .	\$ 216.00

					
EB85	EB86			EB85	EB86
Passage Mortise Lock . . . . .	\$ 447.00				
Privacy Moritse Lock . . . . .	\$ 556.00				

- Price includes your choice of any Builder Series knob or lever (KB40, KB50, KB60, LB30, LB50, or LB60).
- Combinations are shown with LB60 Small Olympus Lever for illustration purposes only. Refer to page K1 for desired handle.
- Specify metal, patina, handing, backset, door thickness, and lock type.

EXTERIOR INTERIOR

EXTERIOR INTERIOR

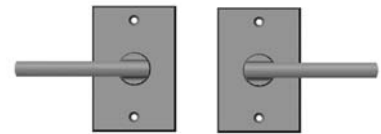
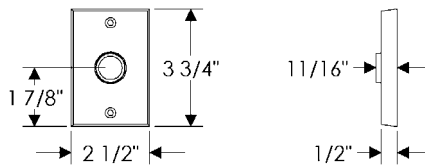


EB20 EB20

Passage Spring Latch . . . . . \$ 260.00  
 Privacy Spring Latch . . . . . \$ 268.00

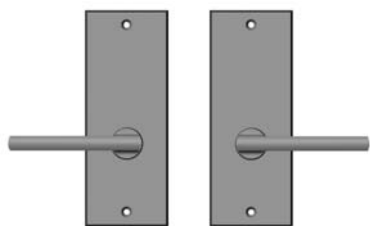
**METRO ESCUTCHEONS**

2 1/2" x 3 3/4" Escutcheons



EB20 EB20

Single Dummy . . . . . \$ 96.00  
 Full Dummy . . . . . \$ 192.00

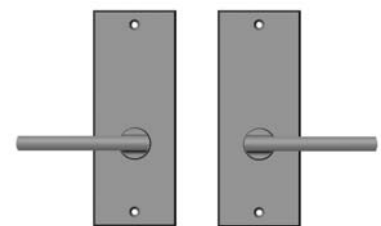
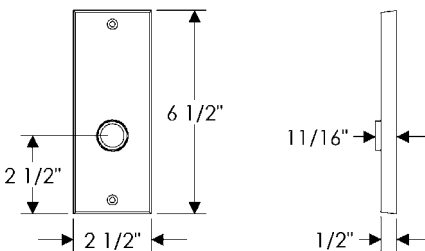


EB25 EB25

Passage Spring Latch . . . . . \$ 283.00  
 Privacy Spring Latch . . . . . \$ 291.00

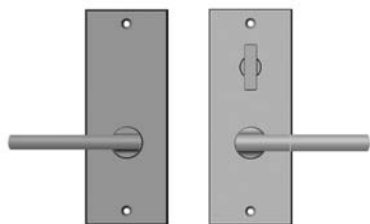
**METRO ESCUTCHEONS**

2 1/2" x 6 1/2" Escutcheons



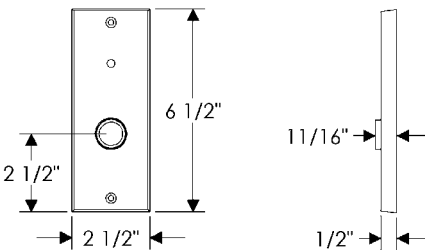
EB25 EB25

Single Dummy . . . . . \$ 108.00  
 Full Dummy . . . . . \$ 216.00



EB25 EB26

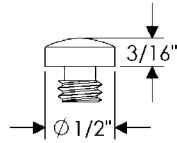
Passage Mortise Lock . . . . . \$ 447.00  
 Privacy Moritse Lock . . . . . \$ 556.00



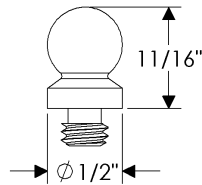


- Specify metal and patina.
- Two caps are included with hinge. Priced individually for replacement.
- Finial Caps shown on this page are compatible with Plain Bearing Extruded 1/2" Barrell Hinges.

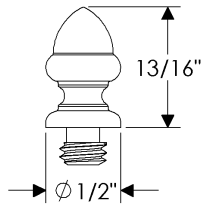
**Finial Caps—1/2" Barrel**



**XT50 Standard Finial Cap**  
 / Each ..... \$ 37.00  
 / Pair ..... \$ 74.00



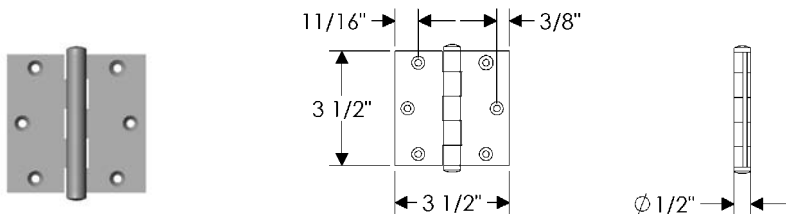
**BT50 Ball Finial Cap**  
 / Each ..... \$ 37.00  
 / Pair ..... \$ 74.00



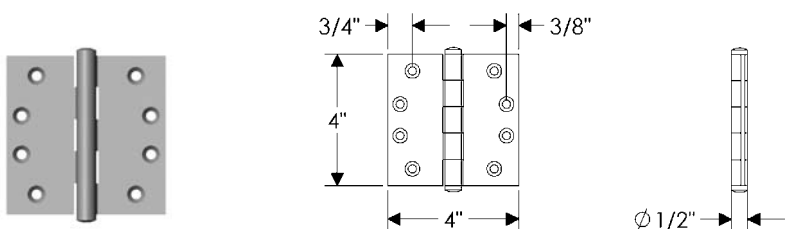
**AT50 Acorn Finial Cap**  
 / Each ..... \$ 37.00  
 / Pair ..... \$ 74.00

- Specify metal and patina.
- Price includes your choice of 1/2" Finial Caps.
- Hinge leaf thickness is .125. Unless otherwise specified.
- Each hinge is supplied with two 3" long and eight 1 1/4" long slotted screws. Flat-head Phillips screws available upon request.

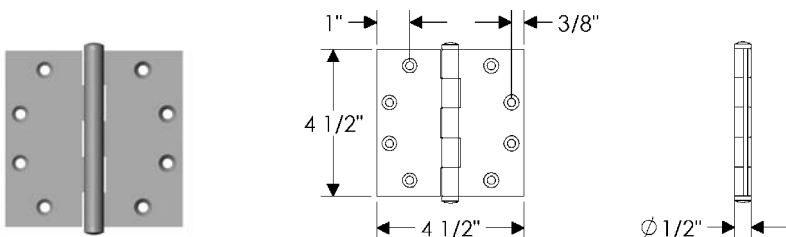
**Plain Bearing Extruded Hinges—1/2" Barrel**



**HNG3.5B** Plain Bearing Extruded Hinge  
 3 1/2" x 3 1/2" / Each ..... \$ 98.00



**HNG4B** Plain Bearing Extruded Hinge  
 4" x 4" / Each ..... \$ 107.00



**HNG4.5B** Plain Bearing Extruded Hinge  
 4 1/2" x 4 1/2" / Each ..... \$ 118.00