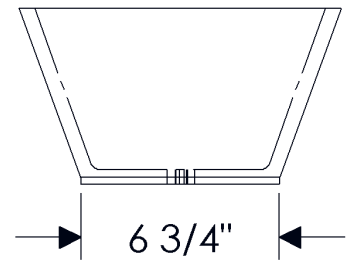
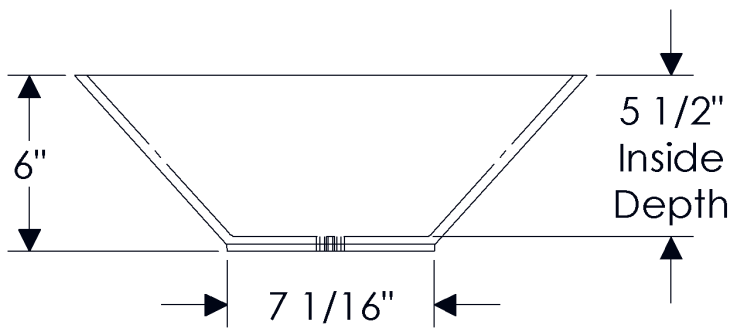
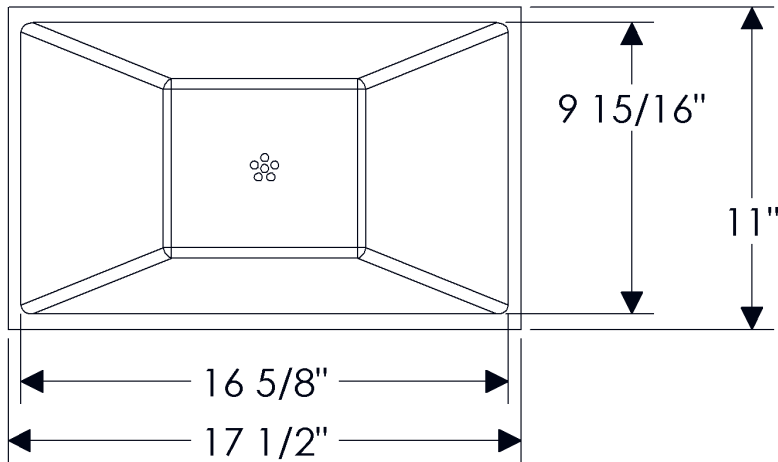


# ROCKY MOUNTAIN

H A R D W A R E



SK423  
Alice Sink  
 $17 \frac{5}{16}$ " x  $11 \frac{1}{16}$ " x  $5 \frac{3}{8}$ " deep  
Vessel, self-rimming or undermount  
32 lbs.